




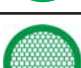
D-DC SERIES

D-DATA CENTER RACK

800x1000mm (WxD)



HIGHLIGHTS

	Safety class rating IP20
	Available in heights from 42U up to 47U
	Load capacity 1500 kg
	80% Perforated front and rear doors

D-DATA CENTER FEATURES

- Safety class rating IP20
- Available in heights from 42U up to 47U
- Enhanced load capacity up to 1500 kg
- Sliding balance bars with leveling feet in front
- Ventilated roofs makes air circulation better and reaching fan modules easier
- 80% Perforated front and rear doors
- Front door: single opening with 135° angle
- Rear door: double opening with 135° angle
- Side panels: each side has 2 panels for better accessibility
- Side panels: 2x sliding lock and a key lock and easily detachable
- Swing handle lock fitted perforated front door and rear door
- Full height front and rear adjustable galvanized steel 19" profiles
- 19" profiles marked with U height position
- Large cable entries in base and roof
- Roof is prepared for fan units

PRODUCT OVERVIEW

D-Data Center series are designed to provide maximum performance with a professional technical, aesthetic look and super passive ventilation for data center infrastructure and are available in range of heights and depths.

Enhanced strength, super passive ventilation and aesthetics are priorities of D-Data Center's design. Each cabinet has a ventilated roof for better air circulation and roof cable management panels. Fully adjustable front and rear profile rails and large cable entries of the cabinet, make this product extremely attractive to installers who needs Data Center cabinet.

Each rack consists of up to 1.5 mm strong steel sheet material which ensures a very good stability as a robust steel construction due to special plate curving technique and a load capacity up to 1500kg can be reached. Sliding balance bars with leveling feet in front provides better stability based on center of gravity. An extensive accessories portfolio for plinths, shelves, cable management, etc. will help to meet many requirements in daily use.



www.deckro.net

+90(216)488 44 88

deckro@axiva.com.tr

Yalı Mahallesi İtimat Sok.
Karahmetoğlu Apt. No:2 D.11
Kartal 34873 İstanbul - Turkey

D-DATA CENTER RACK 800x1000mm (WxD)

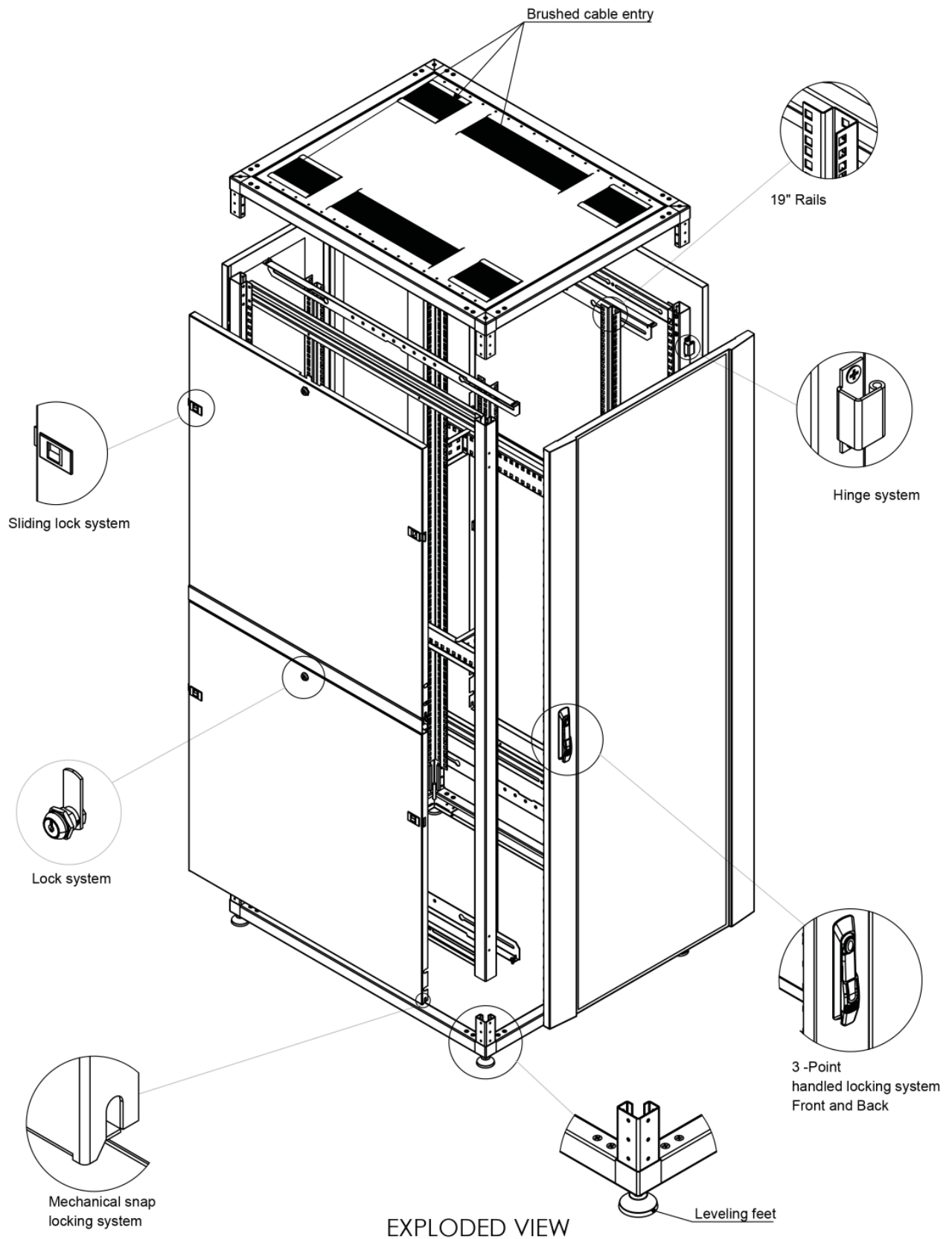
P/N	U	COLOR	RAL	HEIGHT (mm)	WIDTH (mm)	DEPTH (mm)	NET WEIGHT (mm)	LOAD CAPACITY (mm)
DDC801042UG37	42	GREY	7035	2003	800	1000	117,4	1500
DDC801045UG37	45	GREY	7035	2092	800	1000	123,7	1500
DDC801047UG37	47	GREY	7035	2225	800	1000	129,2	1500

P/N	U	COLOR	RAL	HEIGHT (mm)	WIDTH (mm)	DEPTH (mm)	NET WEIGHT (kg)	LOAD CAPACITY (kg)
DDC801042UB37	42	BLACK	9005	2003	800	1000	117,4	1500
DDC801045UB37	45	BLACK	9005	2092	800	1000	123,7	1500
DDC801047UB37	47	BLACK	9005	2225	800	1000	129,2	1500

FOR YOUR DATA CENTER SOLUTIONS



ISOMETRIC DRAWING



TECHNICAL DRAWING

